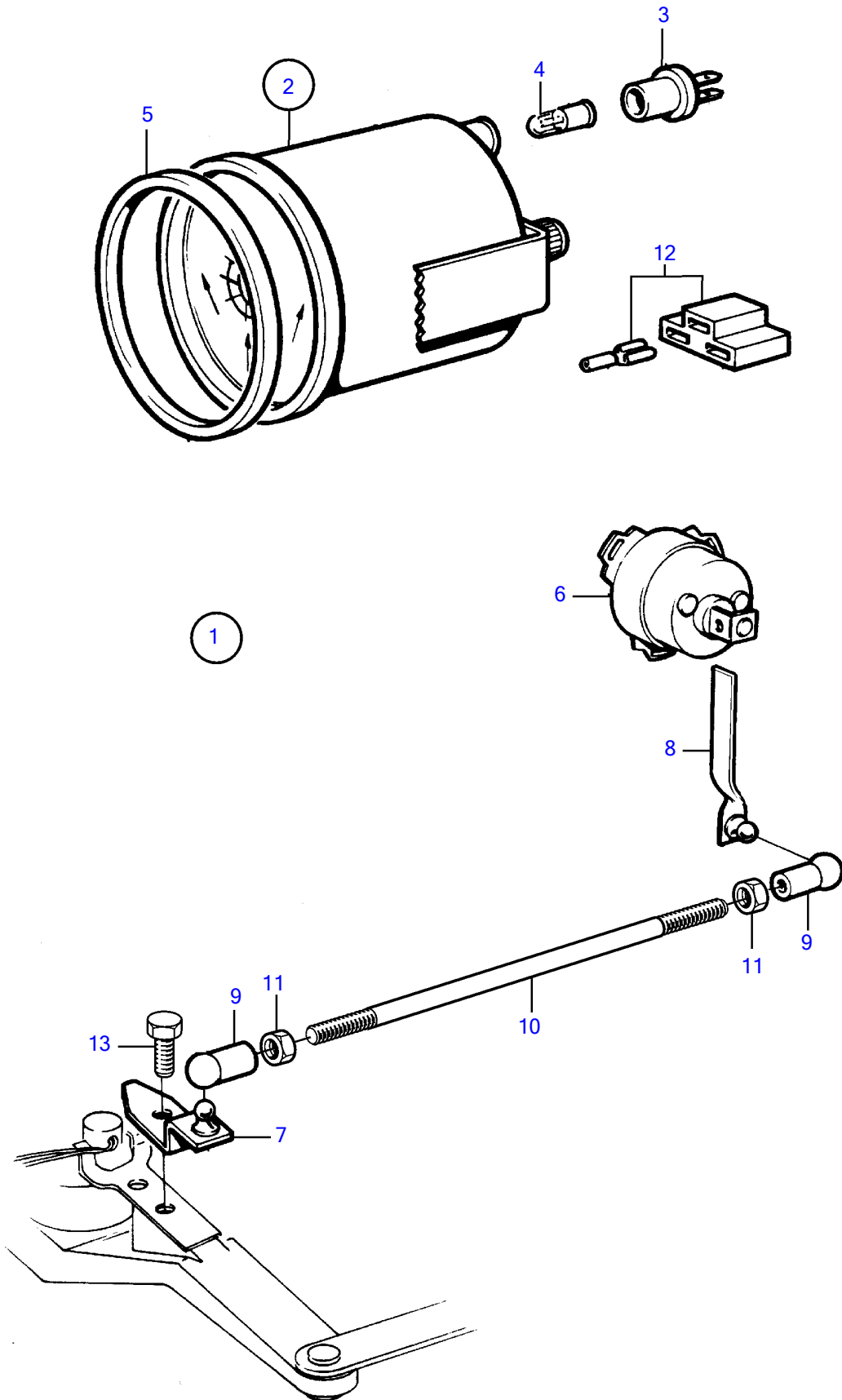


AD31L-A, AD31P-A, AD41L-A, AD41P-A, D41L-A, TAMD31L-A, TAMD31M-A, TAMD31P-A, TAMD31S-A, TAMD41H-A, TAMD41H-B, TAMD41P-A, TAMD41L-A, TAMD41M-A, TMD31L-A, TMD41L-A



AD31L-A, AD31P-A, AD41L-A, AD41P-A, D41L-A, TAMD31L-A, TAMD31M-A, TAMD31P-A, TAMD31S-A, TAMD41H-A, TAMD41H-B, TAMD41P-A, TAMD41L-A, TAMD41M-A, TMD31L-A, TMD41L-A

REF	PART NO.	QTY	DESCRIPTION	SEE SEC.	NOTES
1	1140463	1	Rudder indicator kit		
2	863944	1	• Rudder indicator		
3	863945	1	• • Lamp socket		
4	863946	1	• • • Bulb		12V, 1,2W red
5	858643	1	• Front ring		
6	837772	1	• Position sensor		
7	853176	1	• Bracket		
8	853177	1	• Intermediate lever		
9	946704	1	• Ball socket		Left hand threads
	946703	1	• Ball socket		Right hand threads
10	943549	1	• Control rod		
11	942836	1	• Hexagon nut		Left hand threads
	955780	1	• Hexagon nut		Right hand threads
12		X	• electrical materials	1963	
13	940199	1	Hexagon screw		